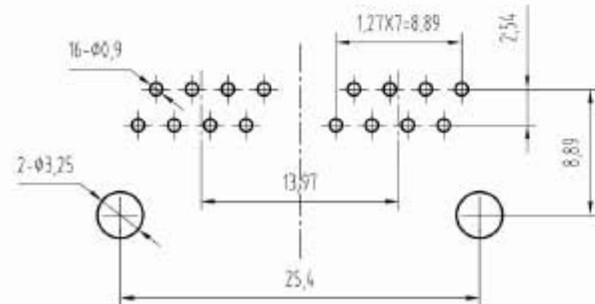
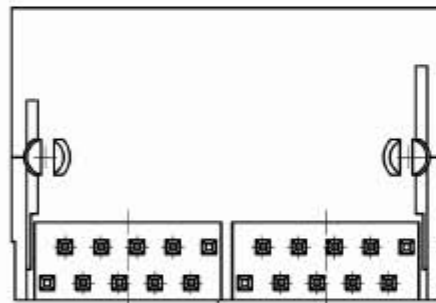
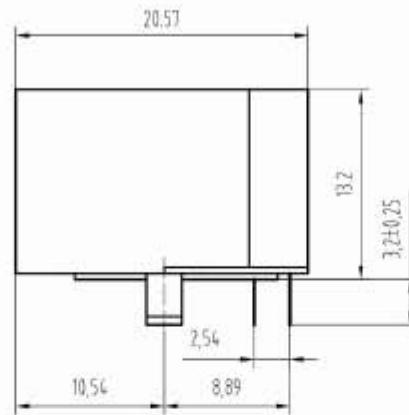
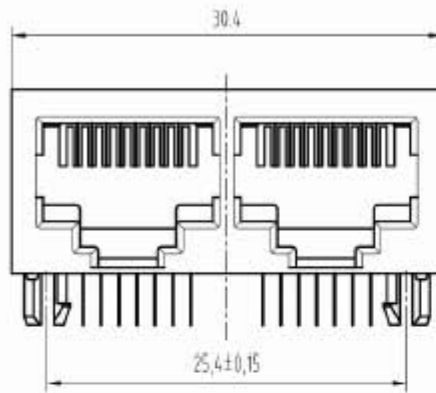


REVISION RECORD				
REV	ECO	DESCRIPTION	DRFT	CHKD



**PC Board Layout**  
**Component Side Shown**

**NOTES:**

**MATERIAL:**

- 1. HOUSING MATERIAL : GLASS FILLED POLYESTER UL94V-0.
- 2. CONTACT MATERIAL : PHOSPHOR BRONZE  $\phi 0.46\text{mm}$ .
- 3. PLATING : GOLD PLATING OVER NICKEL.

**ELECTRICAL:**

- 1. VOLTAGE RATING : 125 VAC RMS.
- 2. CURRENT RATING : 1.5 AMP.
- 3. CONTACT RESISTANCE : 30 MILLIOHMS MAX.
- 4. INSULATION RESISTANCE : 500 MEGOHMS MIN @ 500V DC .
- 5. DIELECTRIC WITHSTANDING RESISTANCE : 1000V AC RMS 50Hz. 1MIN.

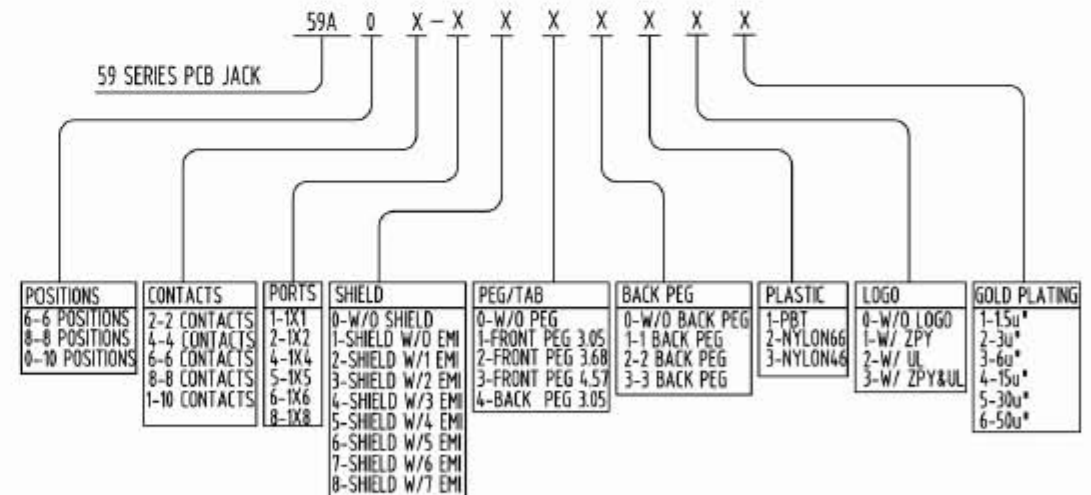
**MECHANICAL:**

- 1. DURRABILITY : 750 CYCLES MIN.
- 2. PCB RETENTION PRE-SOLDER : 1 LB MIN.

**ENVIRONMENTAL:**

- 1. STORAGE : -40°C~+85°C
- 2. OPERATION : 0°C TO 70°C

**PART NUMBER:**



DIMENSIONS		DFTD: SWB	DATE: 2017.05.03
TOLERANCES EXCEPT AS NOTED		CHKD: LANBO	DATE: 2017.05.03
MATERIAL:		MFG:	DATE:
QTY:		APPVL:	DATE:
FINISH:		TITLE	
SCALE:		59A 1x2 JACK W/O SHIELD	
DO NOT SCALE DRAWING		DRAWING NO. TESN000	SIZE A3
SHEET X OF Y		REV 0	